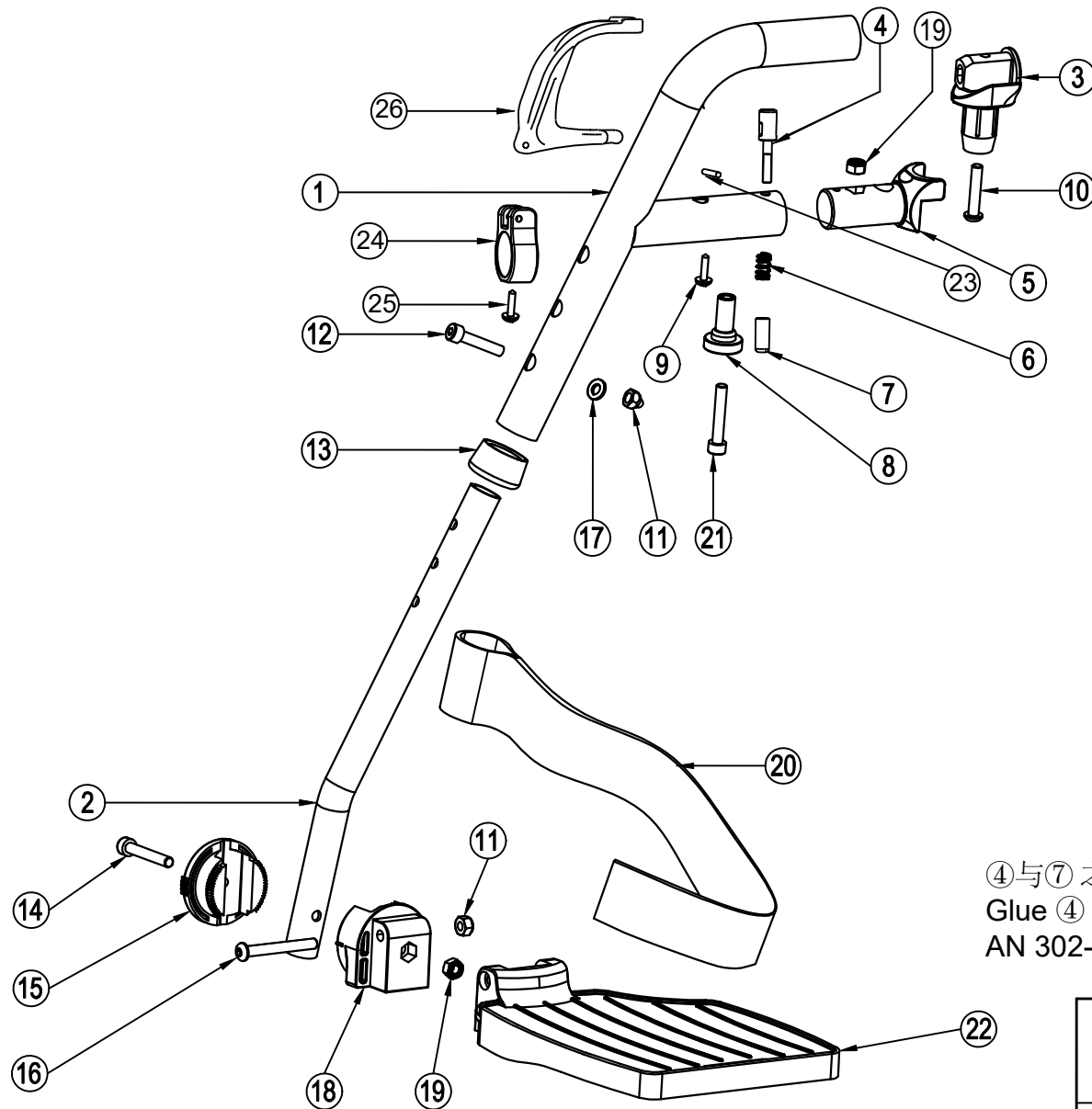



23	---	1905640	2	Material			
24	XC00300	3991091	2	NO.	Plan	Article	Number
25	---	1992805	2	1	YC01267	1C407	2
26	X004418	1904207	2	2	YC01291	FC00808	2

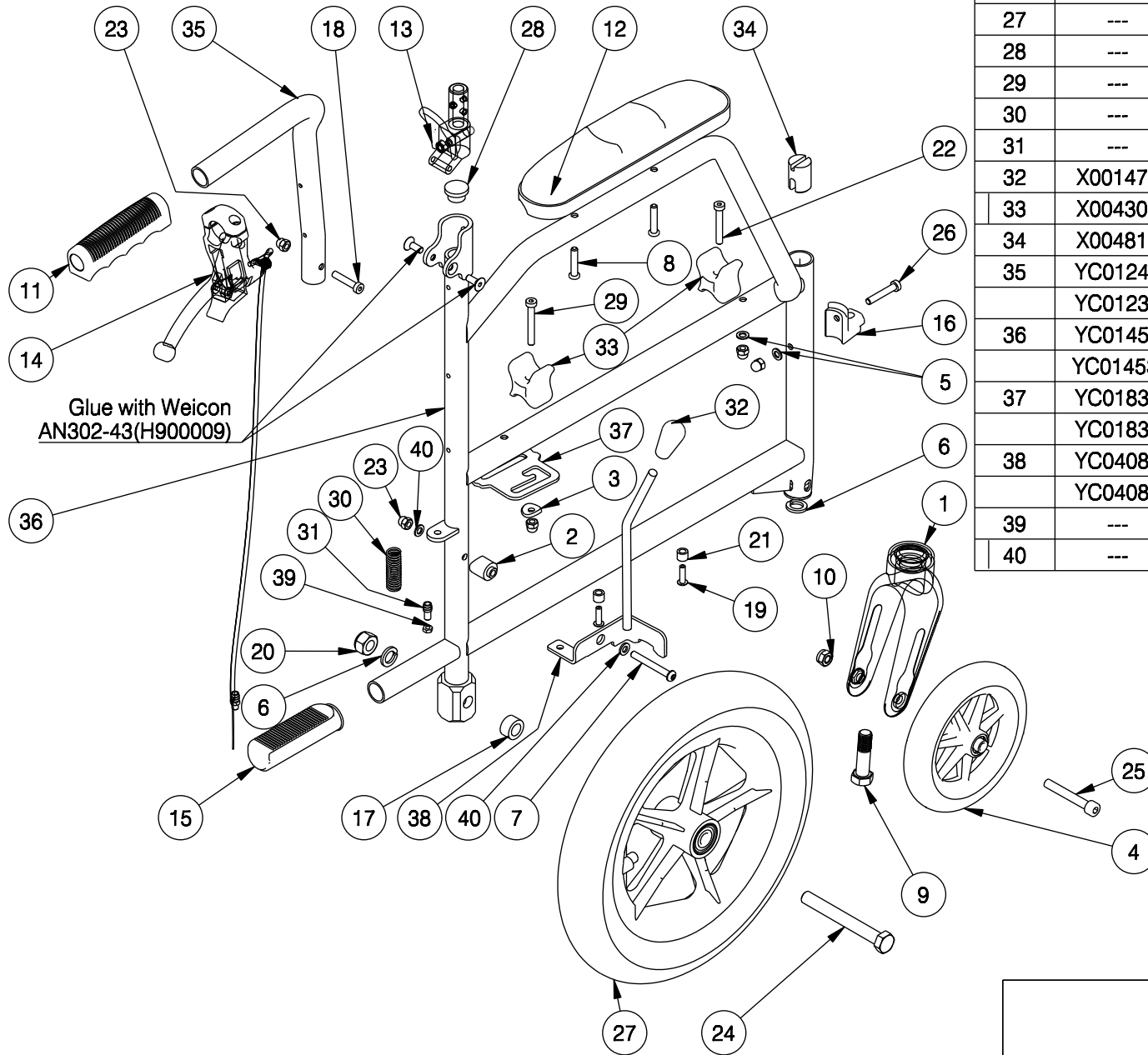


④与⑦之间加螺纹胶。  
Glue ④ into ⑦ with weicon  
AN 302-43(H900009)

3	X004414	1904130	2
4	XC00305	3991094	2
5	XC00381	3991544	2
6	XC00142	3990576	2
7	XC00304	3991093	2
8	X004660	1905195	2
9	---	H016007	2
10	---	1009588	2
11	---	1008492	4
12	---	1992721	2
13	X002137	1992415	2
14	---	1003909	2
15	X004464	1904212	2
16	---	1006997	2
17	---	1001564	2
18	X004465	1904213	2
19	---	1001680	4
20	---	1905642	2
21	---	1001496	2
22	XC00158 (38)	3991003(L)	1
	XC00157 (38)	3991002(R)	1
	X004570 (39-43)	1904646(L)	1
	X004571 (39-43)	1904647(R)	1
	X004453 (44-46)	1904210(L)	1
	X004457 (44-46)	1904475(R)	1
	X004572 (48-52)	1904648(L)	1
	X004573 (48-52)	1904649(R)	1

EC00219/C

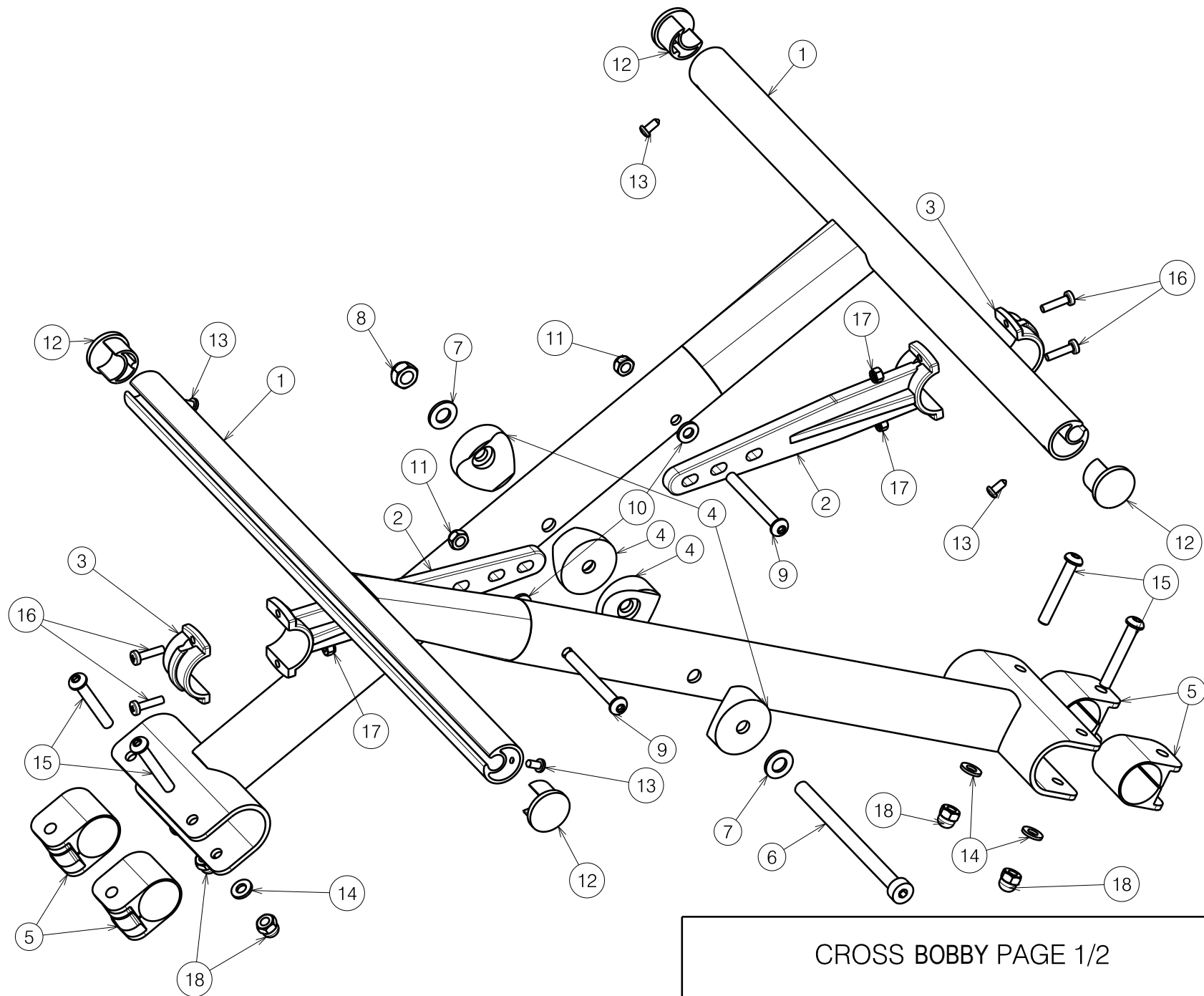
<b>FOOTREST FOR D200P</b>				Plan No. / Plannr.
				EC00219/C
Scale / Schaal: 1 : 4	Drafted / Getekend	Verified / Nagezien	Confirmed / Bevestigd	
Date / Datum	20/02/2014	20/02/2014	20/02/2014	
Init. / Init.	Mars	JJQ	TG	



Material				Material			
No.	Plan	Article	Number	No.	Plan	Article	Number
26	---	1903903	2	1	---	3992851	2
27	---	1914618	2	2	XC00430	3992049	2
28	---	3990684	2	3	---	1911842	2
29	---	3992271	2	4	---	1915055	2
30	---	3993331	2	5	---	1001564	4
31	---	3994117	2	6	---	1001572	4
32	X001471	1001143	2	7	---	1006997	2
33	X004309	1904133	4	8	---	1007954	4
34	X004818	1906184	2	9	---	1C97400	2
35	YC01240	1C464(R)	1	10	---	1998994	2
	YC01239	1C463(L)	1	11	---	3990041	2
36	YC01454	1C458(R)	1	12	---	3991370	2
	YC01453	1C457(L)	1	13	---	3991658	2
37	YC01835	1C63454(R)	1	14	---	3991657	2
	YC01834	1C63354(L)	1	15	X003596	1998528	2
38	YC04086	1C19654(R)	1	16	X004415	17193	2
	YC04087	1C23454(L)	1	17	XC00398	1C45699	2
39	---	1001680	2	18	---	1001495	2
40	---	1000973	4	19	---	1001589	4
				20	---	1001684	2
				21	---	1004550	4
				22	---	1006850	2
				23	---	1008492	10
				24	---	1009034	2
				25	---	1009927	2

EC00242 /N

<h3>SIDE FRAME BOBBY</h3>				Plan Number
				EC00242 /N
Scale:17:100	Drafted	Verified	Confirmed	
Date	16/09/2014	22/10/2019	22/10/2019	
Initials	Mars	AL	TG	



### CROSS BOBBY PAGE 1/2


Plan No. / Plannr.

EC00259/A

Scale / Schaal: 1:4	Drafted / Getekend	Verified / Nagezien	Confirmed / Bevestigd
Date / Datum	12/02/2015	12/02/2015	12/02/2015
Init. / Init.	Mars	JJQ	TG



No. / Nr.	Plan	Article / Artikel	Number / Aantal
1	YC01495 (42)	1C47954	2
	YC01496 (48)	1C48054	2
2	X002621 (42)	1994193	2
	X002620 (48)	1994192	2
3	X002623	1994195	2
4	X002133	1992424	4
5	X003692	1998763	4
6	---	1991711	1
7	X001119	1001554	2
8	X001016	1001682	1
9	---	1997879	2
10	---	1000973	2
11	---	1001680	2
12	X002136	1992414	4
13	---	1001530	4
14	---	1001564	4
15	---	1006111	4
16	---	2990185	4
17	---	1001678	4
18	---	1008492	4


CROSS BOBBY PAGE 2/2				Plan No. / Plannr.
				EC00259/A
Scale / Schaal: 1:4	Drafted / Getekend	Verified / Nagezien	Confirmed / Bevestigd	
Date / Datum	12/02/2015	12/02/2015	12/02/2015	
Init. / Init.	Mars	JJQ	TG	

no.	description	art.no.
1.	WHEEL 150X30 PU DG (60) A3 32-86	1914611



EF00001/A

1914611

WHEEL 150X30 PU DG (60) A3 32-86				Plan No. / Plan nr.
				EF00001/A
	Drafted	Verified	Confirmed	
Date	22/06/2020	22/06/2020	22/06/2020	
Init.	LG	SD	SD	

no.	description	art.no.
1.	WHEEL 140X40 PU DG B3 40-60	1914613



EF00003/A

1914613

WHEEL 140X40 PU DG B3 40-60				Plan No. / Plan nr.
				EF00003/A
	Drafted	Verified	Confirmed	
Date	22/06/2020	22/06/2020	22/06/2020	
Init.	LG	SD	SD	

no.	description	art.no.
1.	WHEEL 12"B74L PU DG E3 62-203	1914619



EF00014/A

1914619

WHEEL 12"B74L PU DG E3 62-203

Plan No. / Plan nr.

EF00014/A

	Drafted	Verified	Confirmed
Date	11/08/2020	11/08/2020	11/08/2020
Init.	LG	SD	SD



no.	description	art.no.
1.	WHEEL 12"B74R PU DG E3 62-203	1914620



EF00015/A

1914620

WHEEL 12"B74R PU DG E3 62-203				Plan No. / Plan nr.
				EF00015/A
	Drafted	Verified	Confirmed	
Date	11/08/2020	11/08/2020	11/08/2020	
Init.	LG	SD	SD	